

Portable type *Formaldehyde Gas detector*

Model FP-31



<Features>

- Measuring low concentration of Formaldehyde !
1 digit = 0.005ppm (0-0.4ppm range)
- Easy operation !
Just set TAB on the spot, and start measurement
- Easy to read with big LCD screen !
- Self-diagnosis system
- Less interfered with other gases

Specifications

Model	FP-31	
Target Gas	Formaldehyde (HCHO) in air	
Detection principle	Photoelectric photometry method	
Detection range	TAB No.008	TAB No.009
	0 - 0.4ppm	0 - 1.00ppm
digit	0.005ppm	0.01ppm
Detection time	1,800 seconds	900 seconds
Display	Digital display with LCD	
Sampling method	Built-in Pump sampling Flow rate: 0.5L/min	
Operating temp & humidity	-10 - +40 degree C, below 90%RH	
Memory capacity	99 data (automatically- saved after detection)	
Self-diagnosis system	Sensor failure, Pump failure, Battery error, System failure	
Power supply	Size AA alkaline battery x 4pcs	
Continuous operation	Approx. 12 hours	
Dimensions	80(W) x 150(H) x 40(D)mm	
Weight	Approx. 250g without dry-cell battery	
Remark	Formaldehyde detector Specified by the Minister of Health, Labor & Welfare in Japan	
Function	Automatic saved data, Clock function, Datalogger function	

Specifications subject to change without notice.

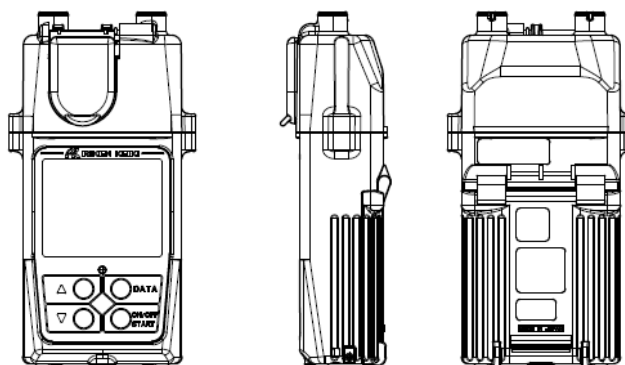
Accessories

- Detection tab x 20pcs
- Size AA alkaline battery x 4pcs
- Attachment for tripod stand

Optional accessories

- Filter
- Software for datalogger

Drawing for outer-shape



RIKEN KEIKI Co.,Ltd.

2-7-6 Azusawa, Itabashi-ku, Tokyo 174-8744, Japan

Phone : +81-3-3966-1113

Telefax : +81-3-3558-9110

E-mail : intdept@rikenkeiki.co.jp

Web site : <http://www.rikenkeiki.co.jp>